



2SC4793

APPLICATIONS

Power Amplifier Applications

FEATURES

High collector voltage $V_{CEO}=230V$ (min)

Complementary to 2SA1937

High transition frequency : $f_T=100MHz$ (Typ.)

RoHS product

$V_{CEO}=230V$ (min)
2SA1837
 $f_T=100MHz$ (Typ.)
RoHS

Package		 <p>TO-220MF</p>
----------------	---	---

ORDER MESSAGE

Order codes	Marking	Halogen Free	Package	Packaging
2SC4793-O-MF-N-B	2SC4793	NO	TO-220MF	Tube

ABSOLUTE RATINGS ($T_c=25^{\circ}C$ unless otherwise noted)

Parameter	Symbol	Value	Unit
Collector- Emitter Voltage	V_{CBO}	230	V
Collector- Emitter Voltage $I_B=0$	V_{CEO}	230	V
Emitter-Base Voltage	V_{EBO}	5	V
Collector Current DC	I_C	1	A
Base Current	I_B	0.1	A
Collector Dissipation($T_a=25^{\circ}C$)	P_C	2.0	W
Collector Dissipation($T_c=25^{\circ}C$)		20	W
Junction Temperature	T_j	150	
Storage Temperature	T_{stg}	-55~+150	

THERMAL CHARACTERISTIC

Parameter	Symbo	min	max	Unit
Thermal Resistance Junction Ambient TO-220MF	$R_{th(j-a)}$	-	62.5	/W
Thermal Resistance Junction Case TO-220MF	$R_{th(j-c)}$	-	6.25	/W

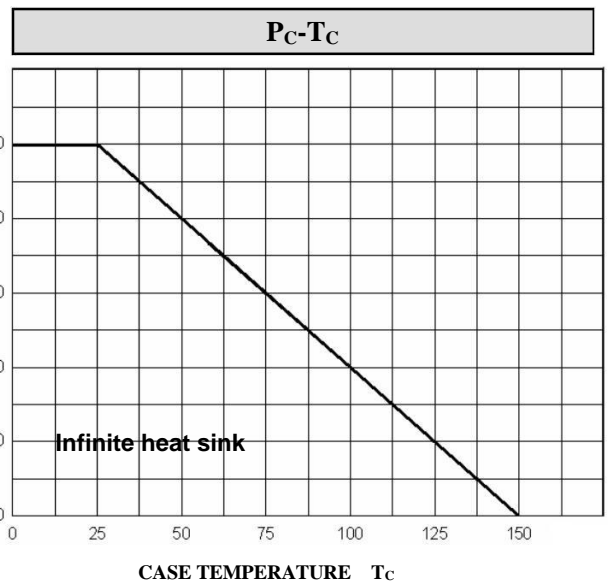
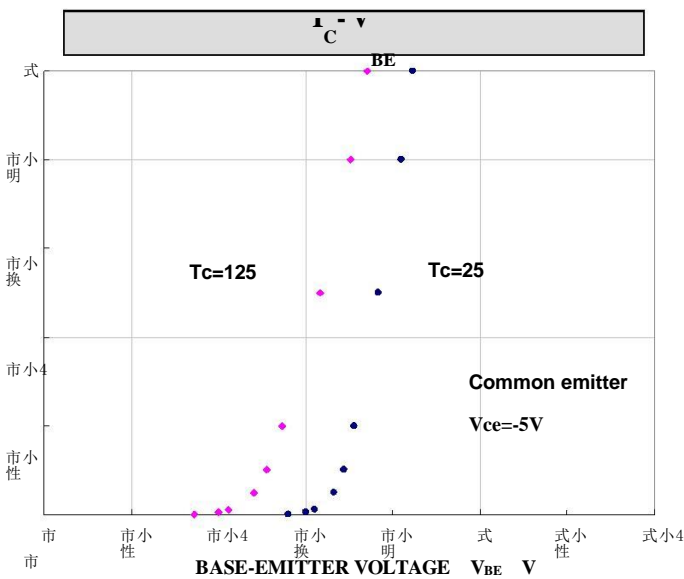
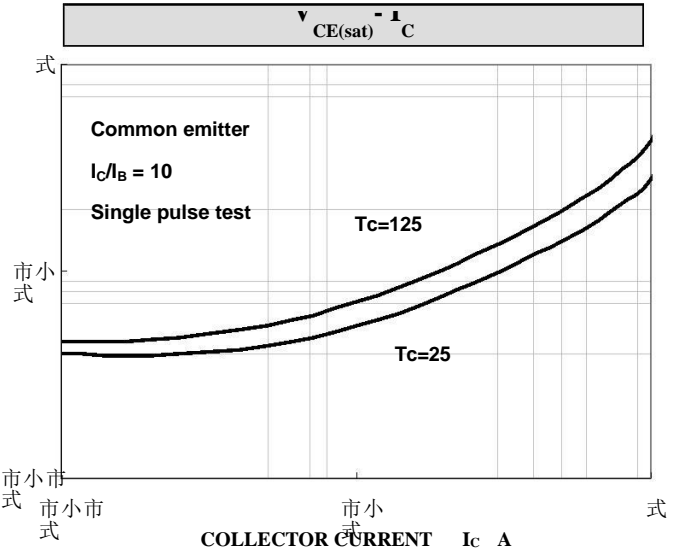
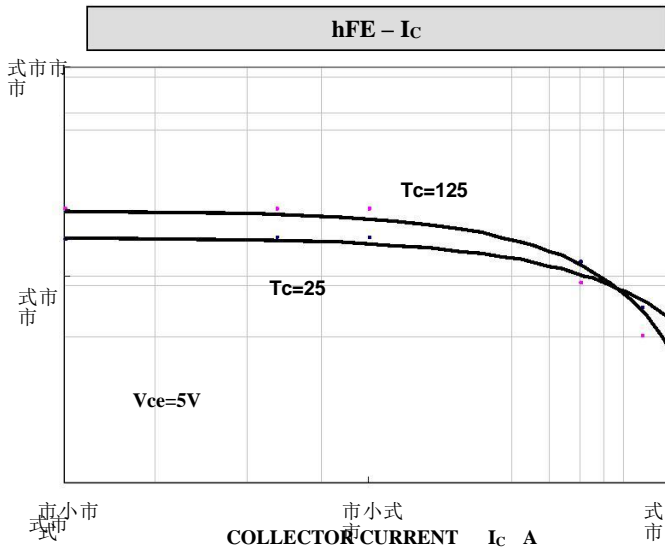




ELECTRICAL CHARACTERISTIC

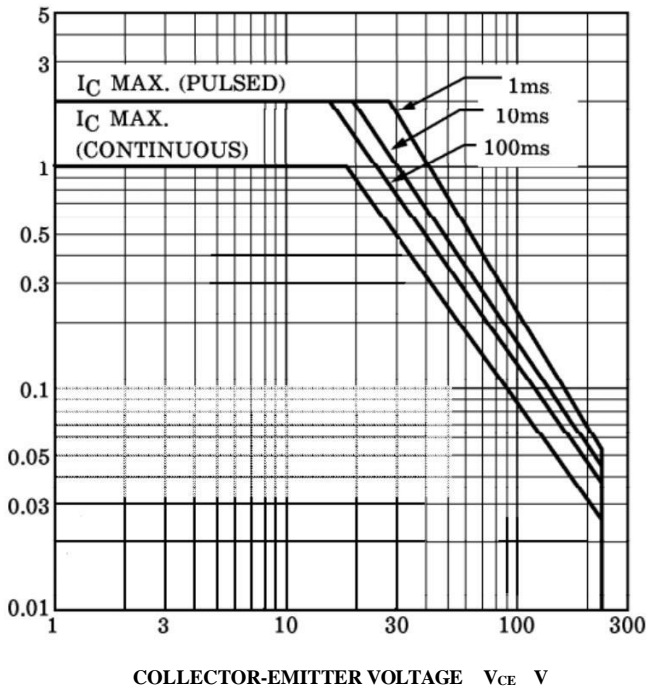
Parameter	Tests conditions	Value(min)	Value(typ)	Value(max)	Unit
I_{CBO}	$V_{CE}=230V, I_E=0$	-	-	1.0	μA
I_{EBO}	$V_{EB}=5V, I_C=0$	-	-	1.0	μA
$V_{(BR)CEO}$	$I_C=10mA, I_B=0$	230	-	-	V
hFE	$V_{CE}=5V, I_C=0.1A$	100	160	270	-
$V_{CE(sat)}$	$I_C=0.5A, I_B=0.05A$	-	-	1.5	V
$V_{BE ON}$	$V_{CE}=5V, I_C=0.5A$	-	-	1.0	V
f_T	$V_{CE}=10V, I_C=0.1A,$	-	100	-	MHz
Cob	$V_{CB}=10V, I_E=0, f=1MHz$	-	20	-	pF

ELECTRICAL CHARACTERISTICS (curves)





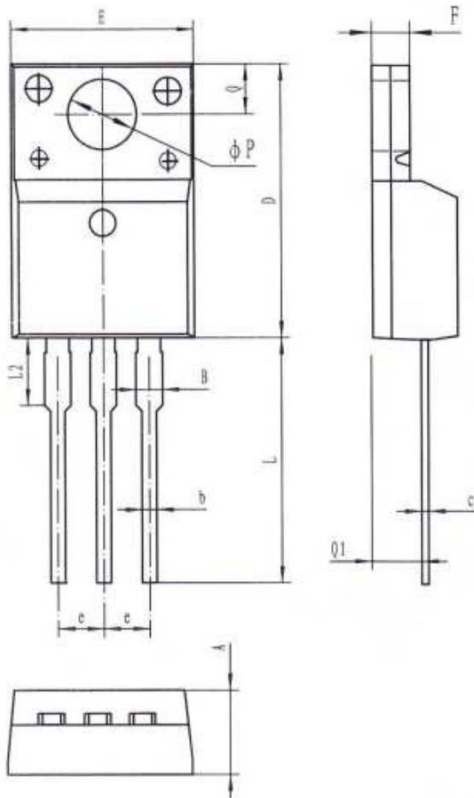
SAFE OPERATION AREA



PACKAGE MECHANICAL DATA

TO-220MF

Unit mm



	mm
A	4.50-4.90
B	<1.47
b	0.70-0.90
c	0.45-0.60
D	15.67-16.07
E	9.96-10.36
e	2.54TYPE
F	2.34-2.74
L	12.58-13.38
L2	3.13-3.33
P	3.08-3.28
Q	3.2-3.4
Q1	2.56-2.96





1.
2.
3.
4.

NOTE

1. Jilin Sino-microelectronics co., Ltd sales its product either through direct sales or sales agent , thus, for customers, when ordering , please check with our company.
2. We strongly recommend customers check carefully on the trademark when buying our product, if there is any question, please don't be hesitate to contact us.
3. Please do not exceed the absolute maximum ratings of the device when circuit designing.
4. Jilin Sino-microelectronics co., Ltd reserves the right to make changes in this specification sheet and is subject to change without prior notice.

99
132013 86-432-64678411 86-432-64665812 www.hwdz.com.cn
99
132013 86-432-64675588 64675688 64678411 : 86-432-4671533

CONTACT
JILIN SINO-MICROELECTRONICS CO., LTD.

ADD: No.99 Shenzhen Street, Jilin City, Jilin Province, China.
 Post Code: 132013
 Tel 86-432-64678411
 Fax 86-432-64665812
 Web Site www.hwdz.com.cn

MARKET DEPARTMENT
 ADD: No.99 Shenzhen Street, Jilin City, Jilin Province, China.
 Post Code: 132013
 Tel: 86-432-64675588
 64675688
 64678411
 Fax: 86-432-64671533

Appendix Revision History

Date	Last Rev.	New Rev.	Description of Changes
2013-11-28		201311A	

